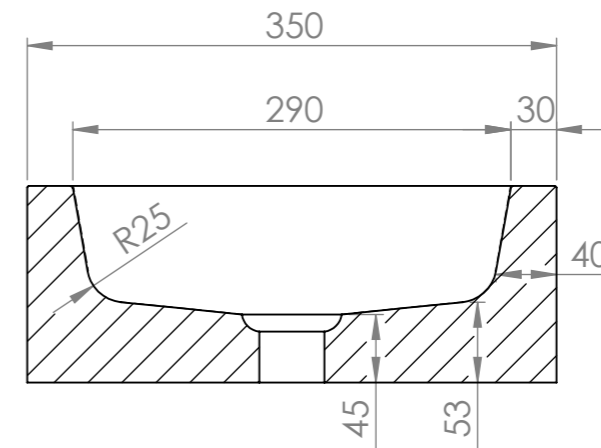


SECTION A-A



SECTION B-B

UNLESS OTHERWISE SPECIFIED: DIMENSIONS ARE IN MILLIMETERS SURFACE FINISH: TOLERANCES: LINEAR: ANGULAR:	FINISH:	DEBUR AND BREAK SHARP EDGES	DO NOT SCALE DRAWING	REVISION
				TITLE: Firenze
	NAME		forzalaqua	
DRAWN	E. Anninga		To endure the power of water	
APPV'D	R. Straten		DWG NO.	A3
MFG		MATERIAL:		
Q.A				
			SCALE: 1: 8	SHEET 1 OF 1