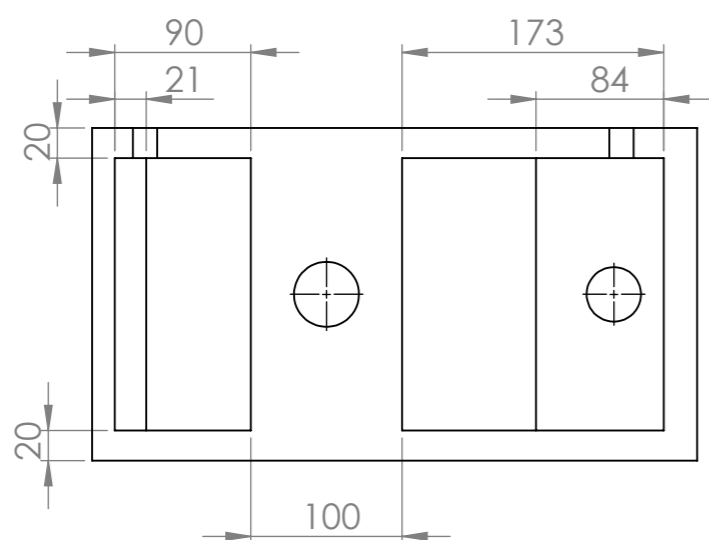


SECTION A-A

SECTION B-B



UNLESS OTHERWISE SPECIFIED: DIMENSIONS ARE IN MILLIMETERS SURFACE FINISH: TOLERANCES: LINEAR: ANGULAR:	FINISH:	DEBUR AND BREAK SHARP EDGES	DO NOT SCALE DRAWING	REVISION
	NAME		TITLE: Venetia forzalaqua To endure the power of water	
DRAWN	E. Anninga		DWG NO.	A3
APPV'D	R. Straten			
MFG				
Q.A		MATERIAL:		
			SCALE: 1: 8	SHEET 1 OF 1