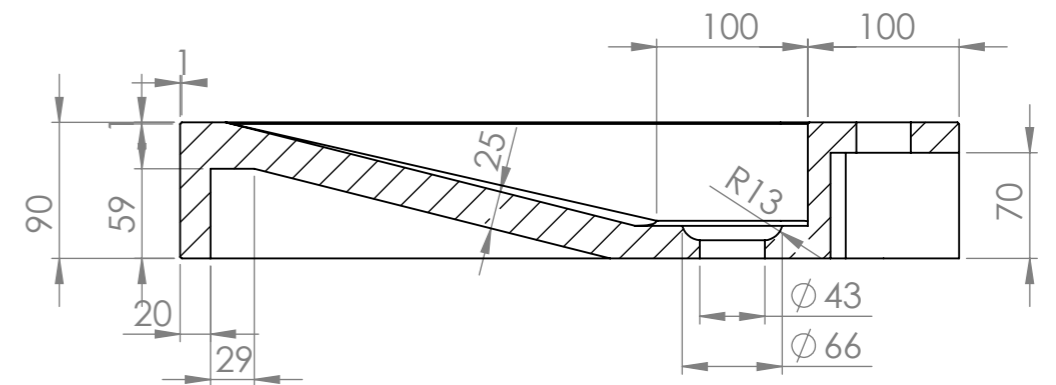
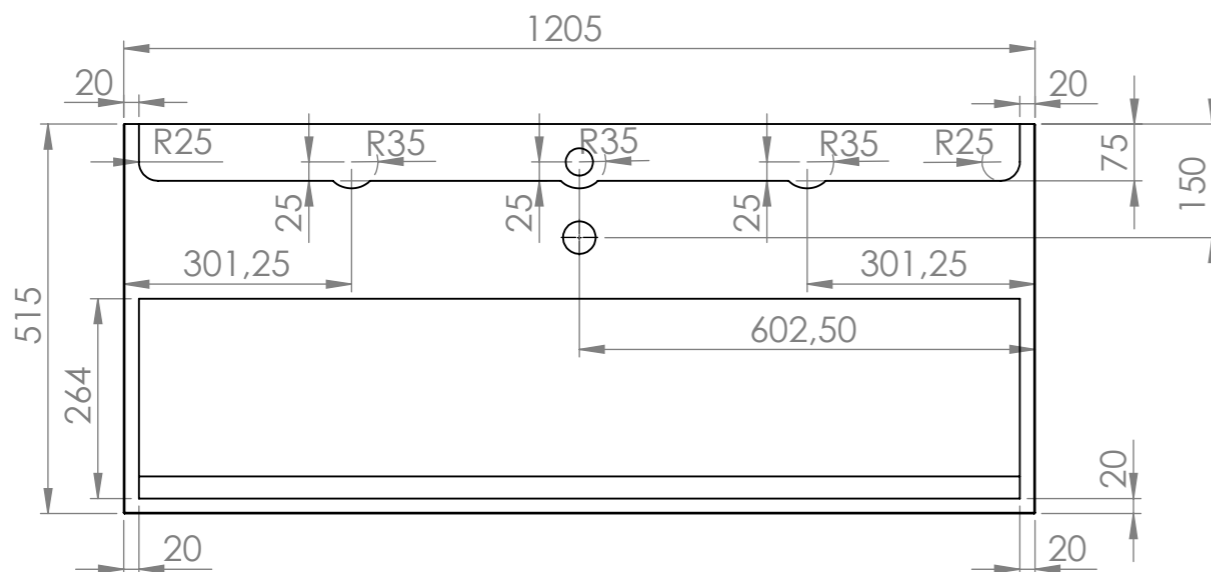


SECTION B-B



SECTION A-A
SCALE 1 : 5

UNLESS OTHERWISE SPECIFIED: DIMENSIONS ARE IN MILLIMETERS SURFACE FINISH: TOLERANCES: LINEAR: ANGULAR:	FINISH:	DEBUR AND BREAK SHARP EDGES	DO NOT SCALE DRAWING		REVISION
	NAME		TITLE: Palermo		
DRAWN	E. Anninga		forzalaqua To endure the power of water		
APPV'D	R. Straten				
MFG			DWG NO.	A3	
Q.A		MATERIAL:			
		WEIGHT: 58.4 kg (2.9 p)	SCALE: 1: 8	SHEET 1 OF 1	