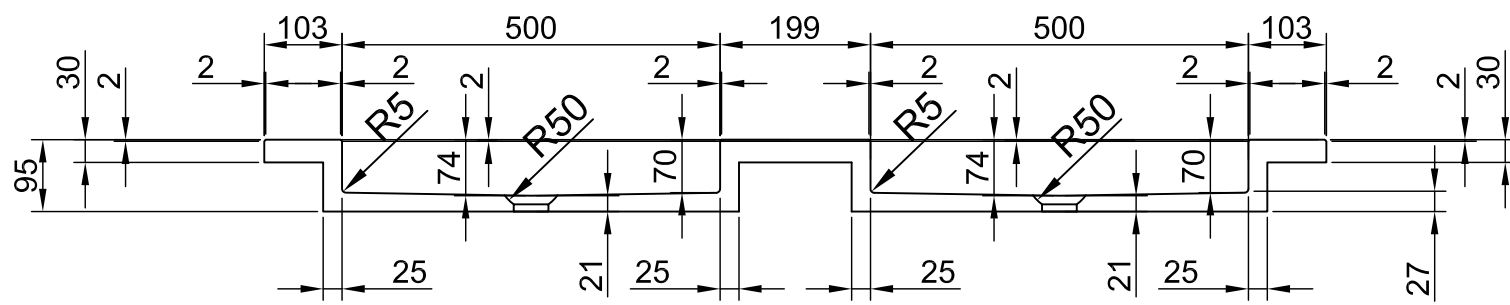
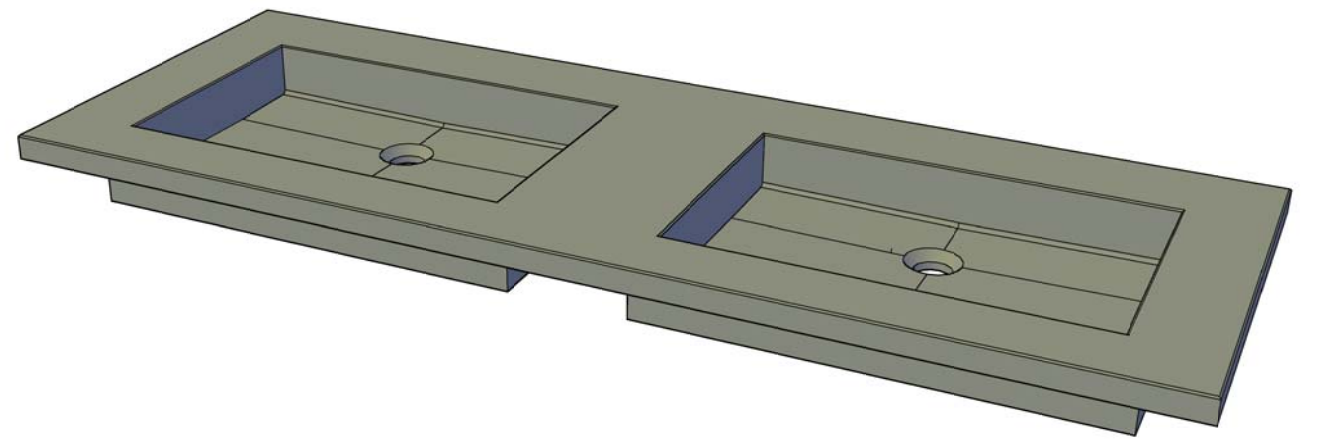
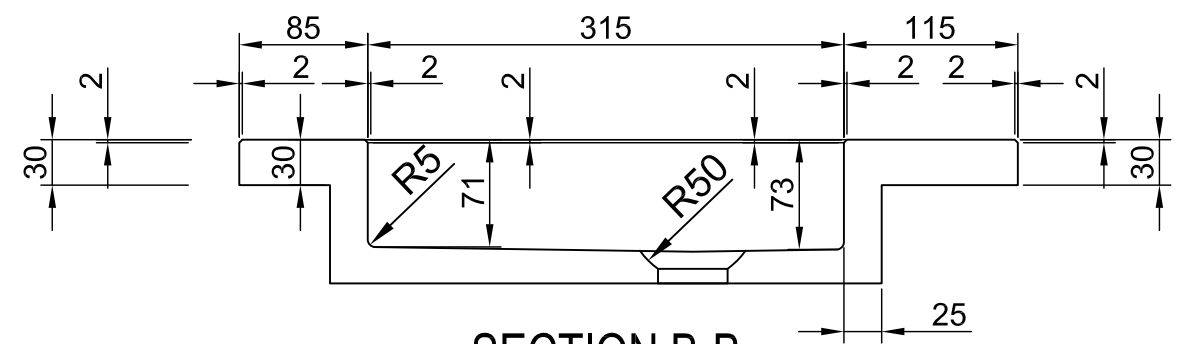


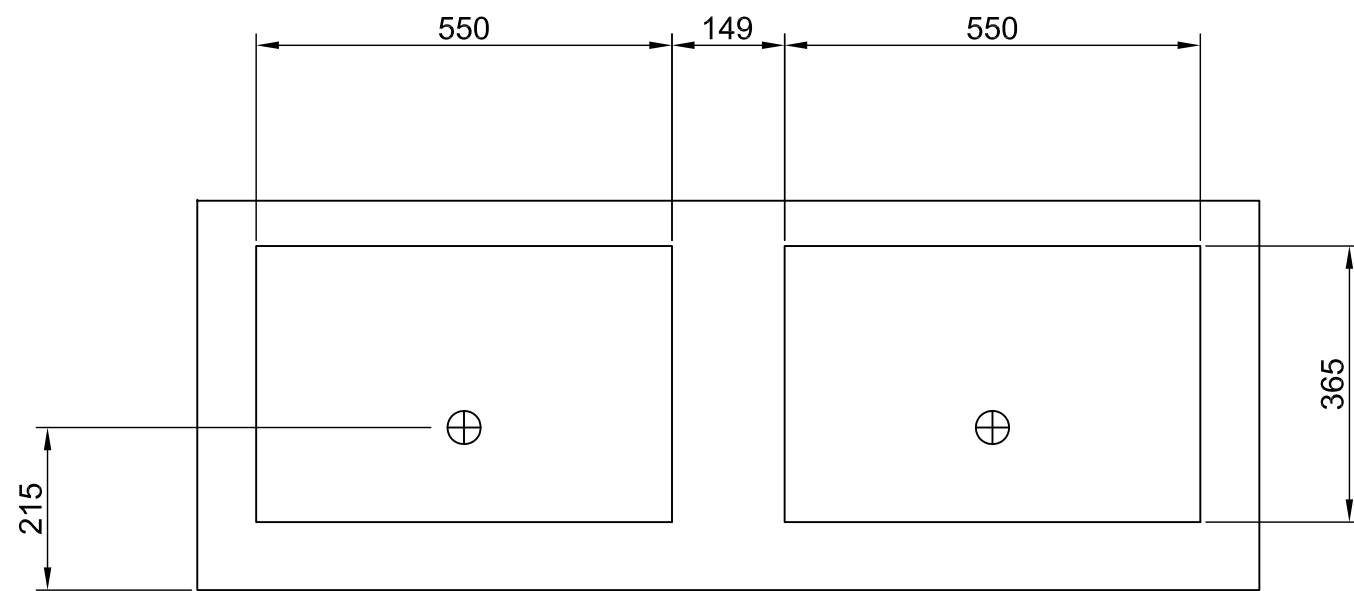
TOP VIEW



SECTION A-A



SECTION B-B
SCALE 1:5



BOTTOM VIEW

UNLESS OTHERWISE SPECIFIED: DIMENSIONS ARE IN MILLIMETERS SURFACE FINISH: TOLERANCES: LINEAR: +/- 1 millimeter ANGULAR: +/- 1 degree		FINISH: honed	DEBUR AND BREAK SHARP EDGES	DO NOT SCALE DRAWING	REVISION
© all rights reserved Forzalaqua				TITLE: NOVA 140.5 BASALT HONED AND FLAMED 140,5X51,5X9,5CM 0XØ36MM	
DRAWN	NAME			forzalaqua	
APPV'D	FKL				
MFG	J. Bardoel	MATERIAL:	DWG NO.		
QA		solid stone	100417		
			SCALE: 1:5 / 10	A3	
			SHEET 1 OF 1		