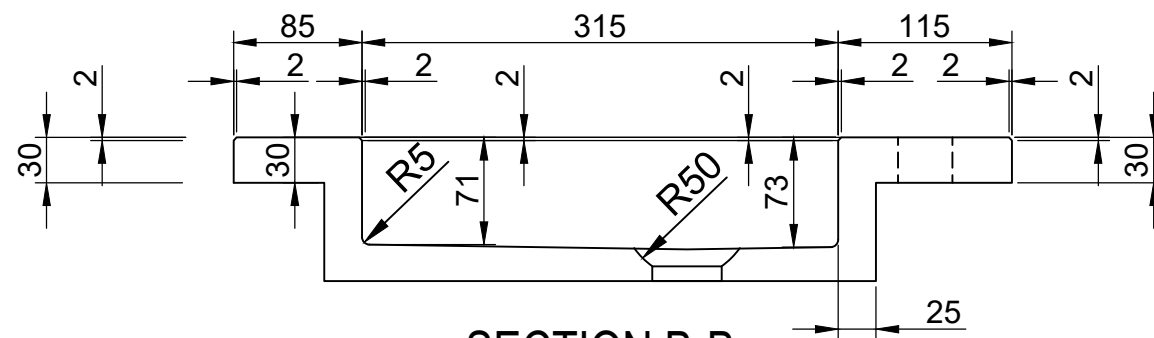
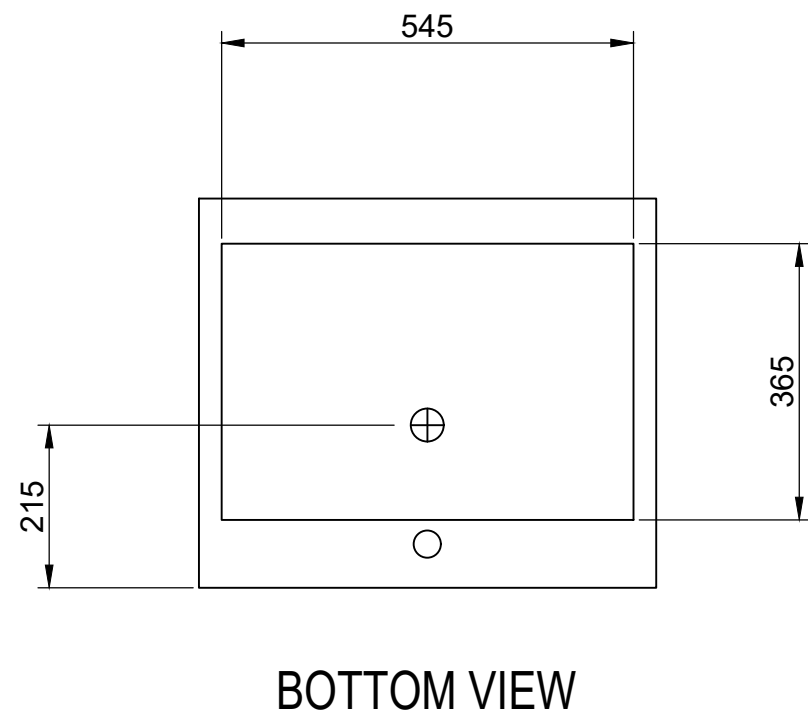


SECTION A-A



SECTION B-B
SCALE 1:5



| | | | | |
|---|------------|-----------------------------------|--|--------------|
| UNLESS OTHERWISE SPECIFIED: DIMENSIONS ARE IN MILLIMETERS SURFACE FINISH: TOLERANCES: LINEAR: +/- 1 millimeter ANGULAR: +/- 1 degree | FINISH: | DEBUR AND BREAK SHARP EDGES | DO NOT SCALE DRAWING | REVISION |
| | | | TITLE: NOVA 60,5X51.5X9,5CM 1XØ36MM | |
| © all rights reserved Forzalaqua | | | forzalaqua | |
| DRAWN | NAME | | | |
| APPV'D | J. Bardoel | MATERIAL: | DWG NO. | A3 |
| MFG | | | | |
| QA | | | | |
| | | | SCALE: 1:5 / 10 | SHEET 1 OF 1 |