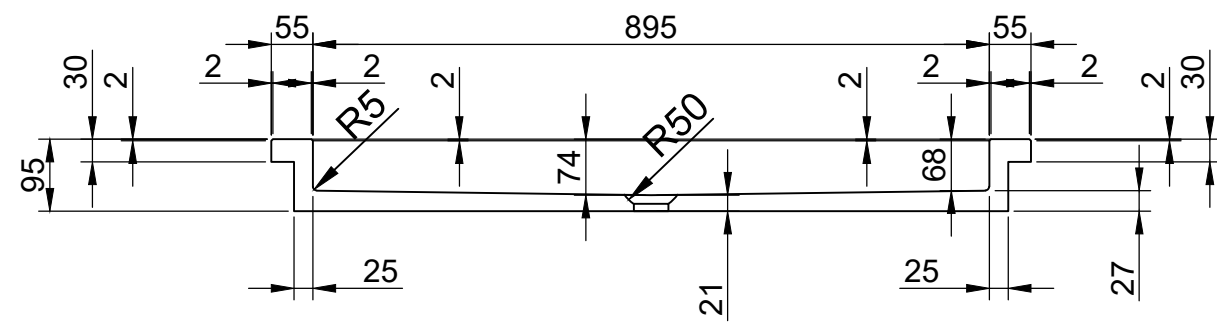
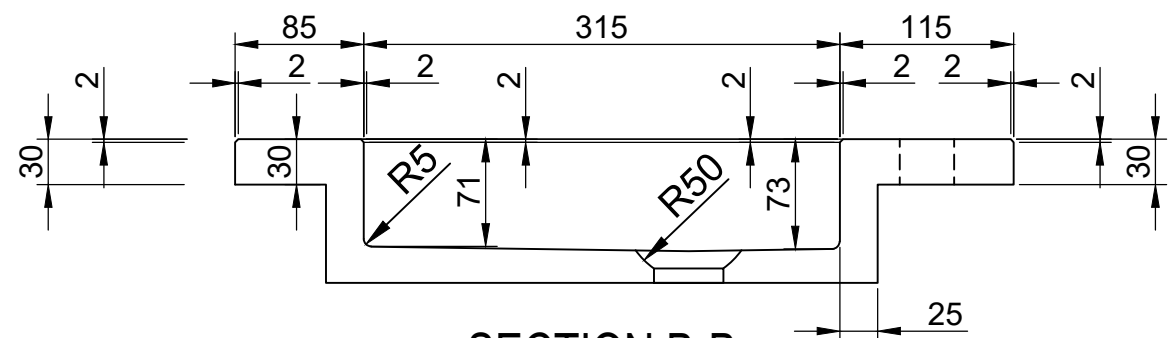


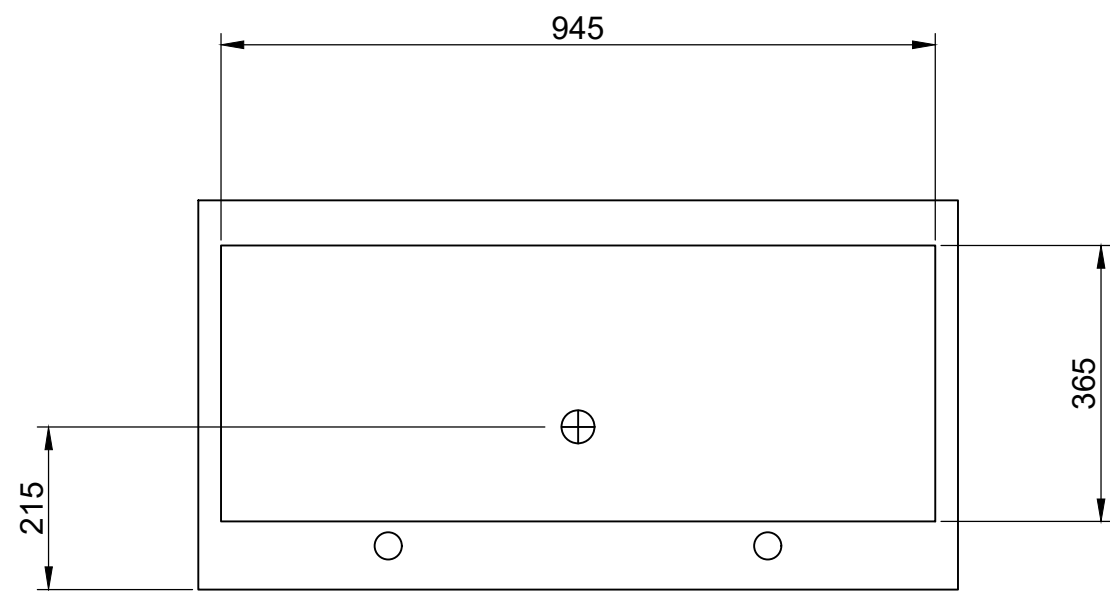
TOP VIEW



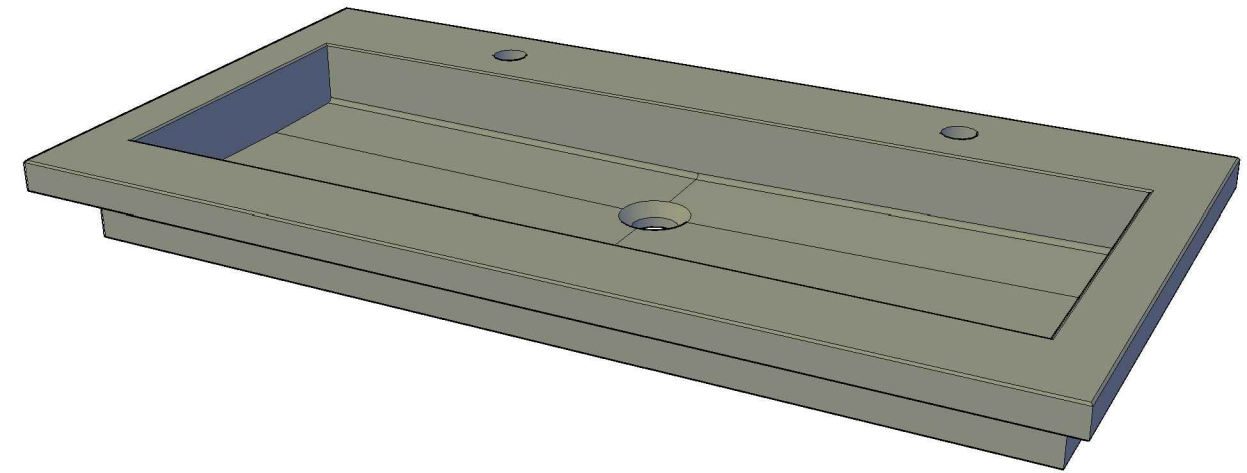
SECTION A-A



SECTION B-B
SCALE 1:5



BOTTOM VIEW



UNLESS OTHERWISE SPECIFIED: DIMENSIONS ARE IN MILLIMETERS SURFACE FINISH: TOLERANCES: LINEAR: +/- 1 millimeter ANGULAR: +/- 1 degree		FINISH:	DEBUR AND BREAK SHARP EDGES	DO NOT SCALE DRAWING	REVISION
© all rights reserved Forzalaqua			TITLE: NOVA 100,5X51,5X9,5CM 2XØ36MM		
DRAWN	NAME		forzalaqua		
APPV'D	FKL				
MFG	J. Bardoel	MATERIAL:			
QA					
SCALE: 1:5 / 10			DWG NO.	A3	
			SHEET 1 OF 1		