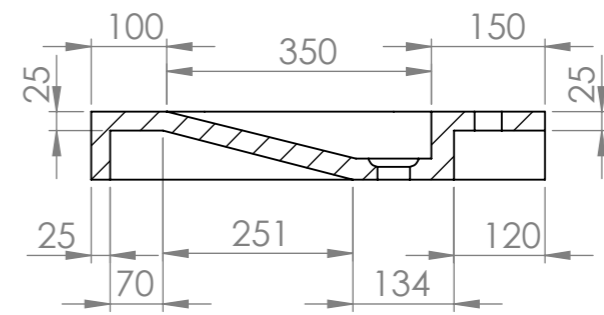
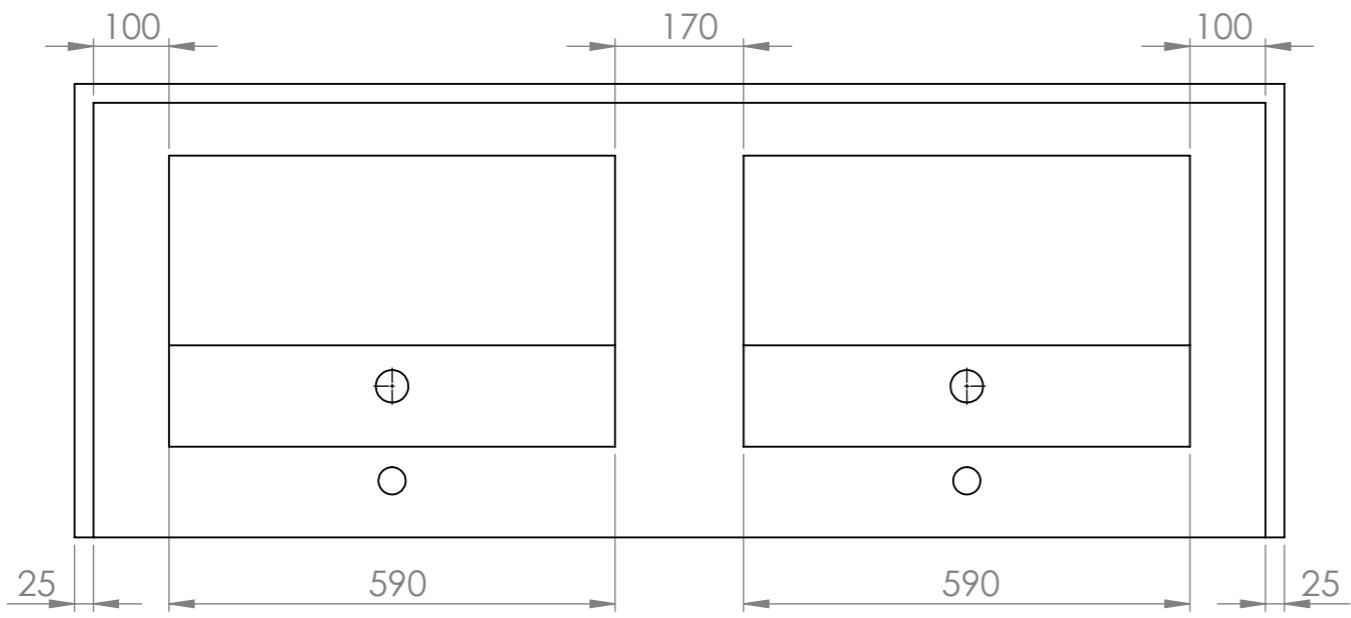


SECTION A-A



SECTION B-B



UNLESS OTHERWISE SPECIFIED: DIMENSIONS ARE IN MILLIMETERS SURFACE FINISH: TOLERANCES: LINEAR: ANGULAR:	FINISH:	DEBUR AND BREAK SHARP EDGES	DO NOT SCALE DRAWING	REVISION
			TITLE: Napoli I forzalaqua To endure the power of water	
DRAWN	NAME			
APPV'D	E. Anninga			
MFG	R. Straten			
Q.A		MATERIAL:	DWG NO.	A3
		WEIGHT: 58.4 kg (2.9 p)	SCALE: 1: 8	SHEET 1 OF 1